



NPN General Purpose Amplifier

0³
0³
0³
0³
0³
0³
0³
0³
0³
0³
0³
0³
0³
0³
0³
0³

Features

- z Moisture sensitivity level 10³
- z

Item	Symbol	Unit	Conditions	Value
Device marking code			BC817-16WS	6A
			BC817-25WS	6B
			BC817-40WS	6C
Collector-base voltage	V _{CBO}	V	I _C =10uA, I _E =0	50
Collector-emitter voltage	V _{CEO}	V	I _C =10mA, I _B =0	45
Emitter-base voltage	V _{EB0}	V	I _E =1uA, I _C =0	5
Collector current	I _C	mA		500
Power dissipation	P _D	mW		200
Junction temperature	T _J	-		-55 to +150
Storage temperature	T _{STG}	-		-55 to +150

0³
0³
0³
0³
0³



BC817-16WS THRU BC817-40WS



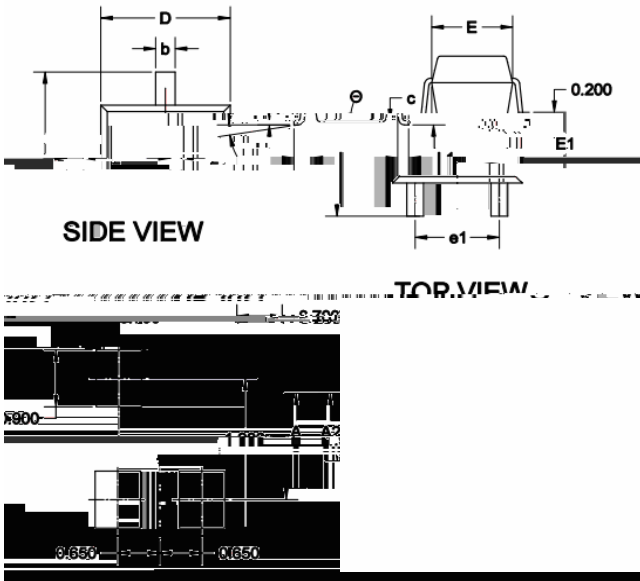
BC817-16WS THRU BC817-40WS

RoHS
COMPLIANT

Ordering Information

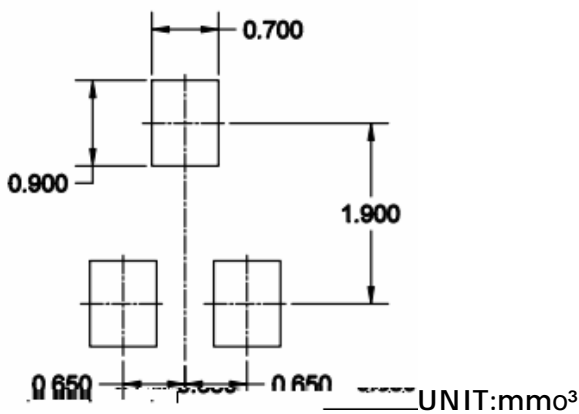
Preferred P/N	Packing code	Unit weight(g)	Minimum package(pcs)	Inner box quantity(pcs)	Outer carton quantity(pcs)	Delivery mode
BC817-16WS THRU BC817-40WS	F2	Approximate 0.005	3000	30000	120000	7" reel

Outline Dimensions



SYMBOL	DIMENSIONS	
	INCHES	MILLIMETER
A	0.035	0.914
A1	0.000	0.064

Suggested Pad Layout





BC817-16WS THRU BC817-40WS

RoHS
COMPLIANT

0³

Disclaimer

The information presented in this document is for reference only. Yangzhou Yangjie Electronic Technology Co., Ltd. reserves the right to make changes without notice for the specification of the products displayed herein to improve reliability, function, or design or otherwise.

The product listed herein is designed to be used with ordinary electronic equipment or devices, and not designed to be used with equipment or devices which require high level of reliability and the malfunction of which would directly endanger human life (such as medical instruments, transportation equipment, aerospace machinery, nuclear-reactor controllers, fuel controllers and other safety devices), Yangjie or anyone on its behalf, assumes no responsibility or liability for any damages resulting from such improper use of sale.

This publication supersedes & replaces all information previously supplied. For additional information, please visit our website [http:// www.21yangjie.com](http://www.21yangjie.com) , or consult your nearest Yangjie's sales office for further assistance.

0³